

A SUCCESSFUL PASSIVE HOUSE

EARLY AND FREQUENT

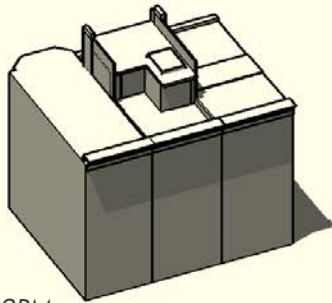
- *WORK COLLABORATIVELY WITH YOUR PASSIVE HOUSE CONSULTANTS & CERTIFYING EVERYBODY IN THE DESIGN PROCESS AS EARLY AS POSSIBLE.*
- *INCLUDE THE CLIENT AS AN INTEGRAL TEAM MEMBER EARLY IN THE DESIGN.*



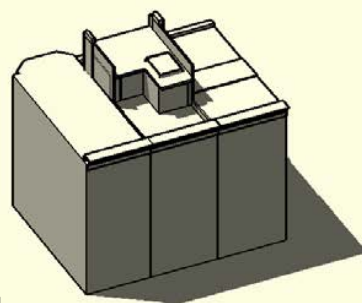
A SUCCESSFUL PASSIVE HOUSE

EARLY AND FREQUENT

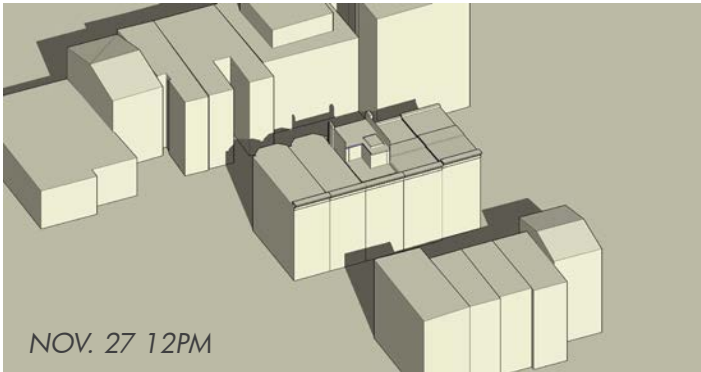
- CREATE AN ENVELOPE STRATEGY FIRST, DESIGN MECHANICAL SYSTEMS SECOND.
- FREQUENT WALK-THROUGHS AND TESTS TO ENSURE CORRECT IMPLEMENTATION.



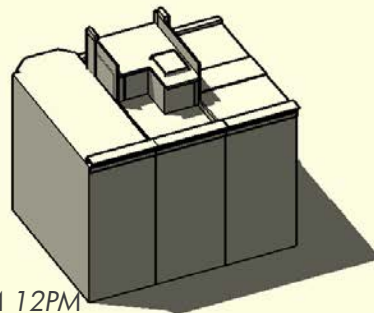
MARCH 21 12PM



JUNE 21 12PM



NOV. 27 12PM



DEC. 21 12PM 12PM

SUN STUDY ON SOLSTICE DAYS



BLOWER DOOR TEST

THE G.C. COLLABORATIVE



INTERIOR ALTERATIONS AT MANHATTAN TOWNHOUSE

WE ASKED THAT ALL OF THEM MEET ON EACH OTHERS PASSIVE HOUSE PROJECTS TO **SHARE INFORMATION AND DISCUSS** DETAILS, WHICH PROMOTES FOR EVEN BETTER FUTURE BUILDS.

EXPANDING THE COLLABORATIVE EFFORT

CO-SPONSORED BY PHA, NYC BEE_x, NYPH, + M2 CONTRACTING, BAXT INGUI HOSTED AN ON-SITE PASSIVE HOUSE ELEMENTS INSTALLATION SEMINAR



SHARING KNOWLEDGE WITH OTHERS PROVIDES
IMPORTANT **OBJECTIVE FEEDBACK.**





PASSIVE HOUSE WINDOW INSTALLATION SEMINAR